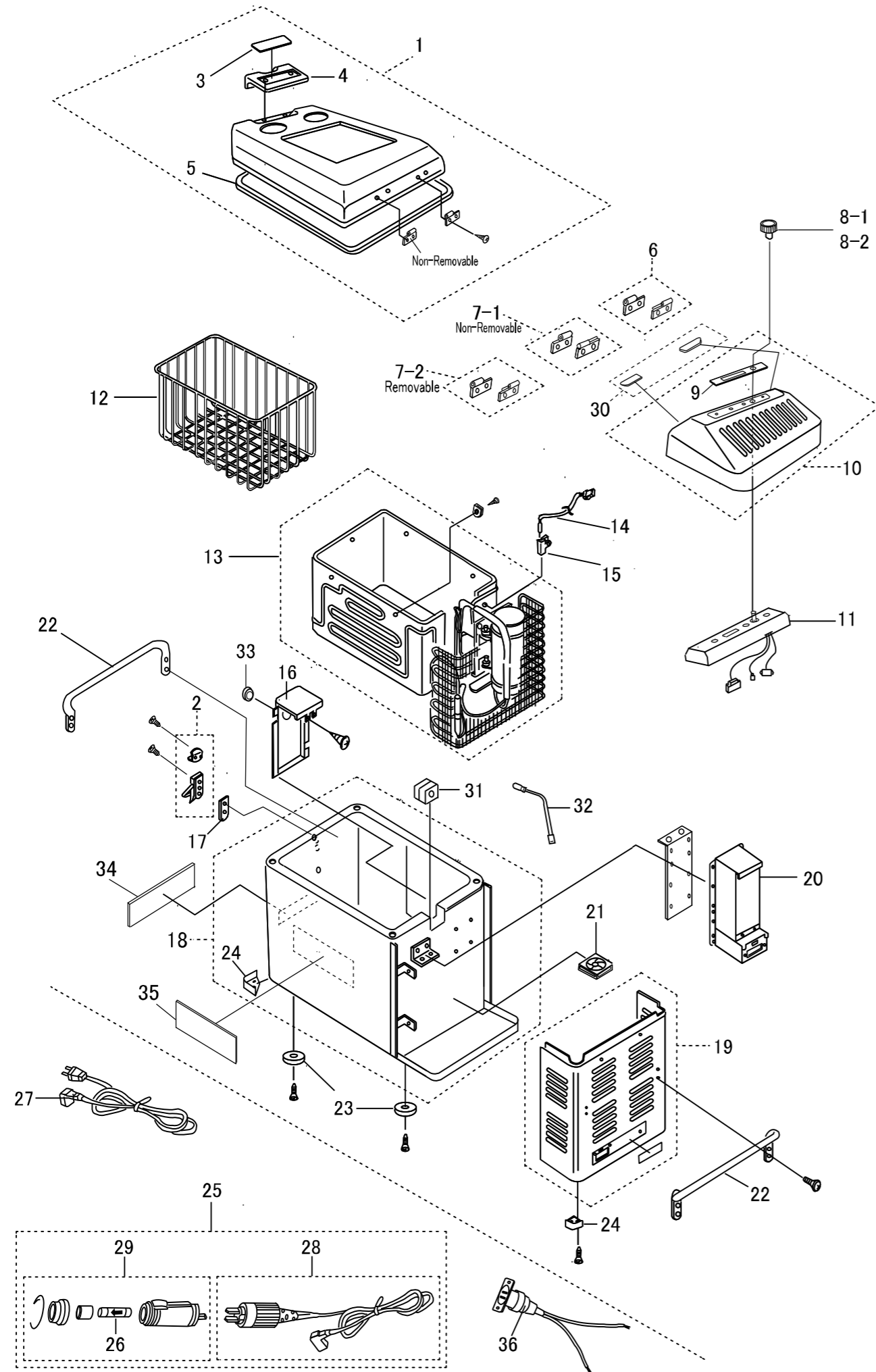


# MT35F-U1D-P - MT45F-U1D-P



MT35F-U1D-P • MT45F-U1D-P

QTY SECTION	MODEL	MODEL CODE	PRODUCTION PERIOD	UNIT TYPE	REMARKS
A	MT35F-U1D-P	0642 032 0R30	2017.05~	K3	
B	MT45F-U1D-P	0642 042 0R40	2017.05~	K3	

ITEM NO.	DESCRIPTION	ITEM CODE	QTY Used per fridge		QTY included per item code	REMARKS
			A	B		
1	DOOR ASSY ( non-removable ) FINE GOLD	1600 448 70X9	1	1	1	
2	LATCH ASSY	1609 356 10X9	1	1	1	
3	MARK	5450 821 00X9	1	1	5	
4	DOOR HANDLE	4225 004 01X9	1	1	1	
5	GASKET	4148 039 01X9	1	1	1	
6	HINGE ASSY with LONG PIN	1609 345 30X9	1	1	1	
7-1	HINGE ASSY with LONG PIN	1609 345 40X9	1	1	1	for non-removable door
7-2	HINGE ASSY with SHORT PIN	1609 345 50X9	1	1	1	for removable door
8-1	DIAL KNOB ( standard )	1602 067 00X8	1	1	5	
8-2	DIAL KNOB ( with white indicator line )	1602 067 10X9	opt	opt	5	
9	MARK	5450 822 90X9	1	1	5	
10	COVER ASSY ( Fine Gold )	1602 280 50X9	1	1	1	
11	TEMPERATURE CONTROLLER(MT45FP/MT45F)	1601 215 21X9	1	1	1	Include No.9
12	BASKET	5230 037 00X9	1	-	1	
		5230 038 00X9	-	1	1	
13	COOLING UNIT ( K3 )	1610 115 21X9	1	-	1	
		1610 116 31X9	-	1	1	
14	EVAPORATOR THERMISTOR	6055 054 10X9	1	1	1	
15	HOLDER	4223 050 00X9	1	1	5	
16	COVER PIPE	4330 039 10X9	1	1	1	
17	"I" PLATE	4301 130 00X9	1	1	5	
18	CABINET ASSY ( Fine Gold )	1600 446 41X9	1	-	1	
		1600 447 51X9	-	1	1	
19	CASE COVER ASSY ( Fine Gold )	1609 346 40X9	1	-	1	
	CASE COVER ASSY ( Fine Gold )	1609 347 40X9	-	1	1	
20	POWER SUPPLY ( K3 )	1601 168 12X9	1	1	1	
21	COOLING FAN	6080 007 40X9	1	-	1	
		1609 289 10X9	-	1	1	
22	HANDLE ( Fine Gold )	3233 010 40X9	1set	1set	2	1set= HANDLE 2Pieces
23	CUSHION	4120 139 00X9	1set	1set	4	1set= CUSHION 4Pieces
24	CORNER CUSHION	4274 009 30X9	1set	1set	4	1set= CORNER CUSHION 4Pieces
25	DC CORD ASSY	1912 404 00X9	1	1	1	
26	SPECIAL THERMAL FUSE	1603 002 00X9	1	1	1	
27	AC CORD ASSY	1912 417 00X0	1	1	1	
28	DC CORD without No. 29	1912 401 00X9	1	1	1	
29	PLUG ASSY	1602 121 00X9	1	1	1	
30	CUSHION ( Rx1 & Lx1 as 1 set )	4120 191 00X9	1 set	1 set	5 sets	4120 191 00X9= 5sets(Rx5 & Lx5)
31	RUBBER BUSHING	4160 063 10X9	1	1	1	
32	DIODE ASSY ( LED )	1609 484 00X9	1	1	1	
33	CAP	4101 167 00X9	1	1	1	
34	ENGEL STICKER	5450 820 30X9	1	1	5	
35	ENGEL STICKER	5450 890 01X9	1	1	5	
36	DC CORD (For direct battery connection)	1912 185 00X0	opt	opt	1	